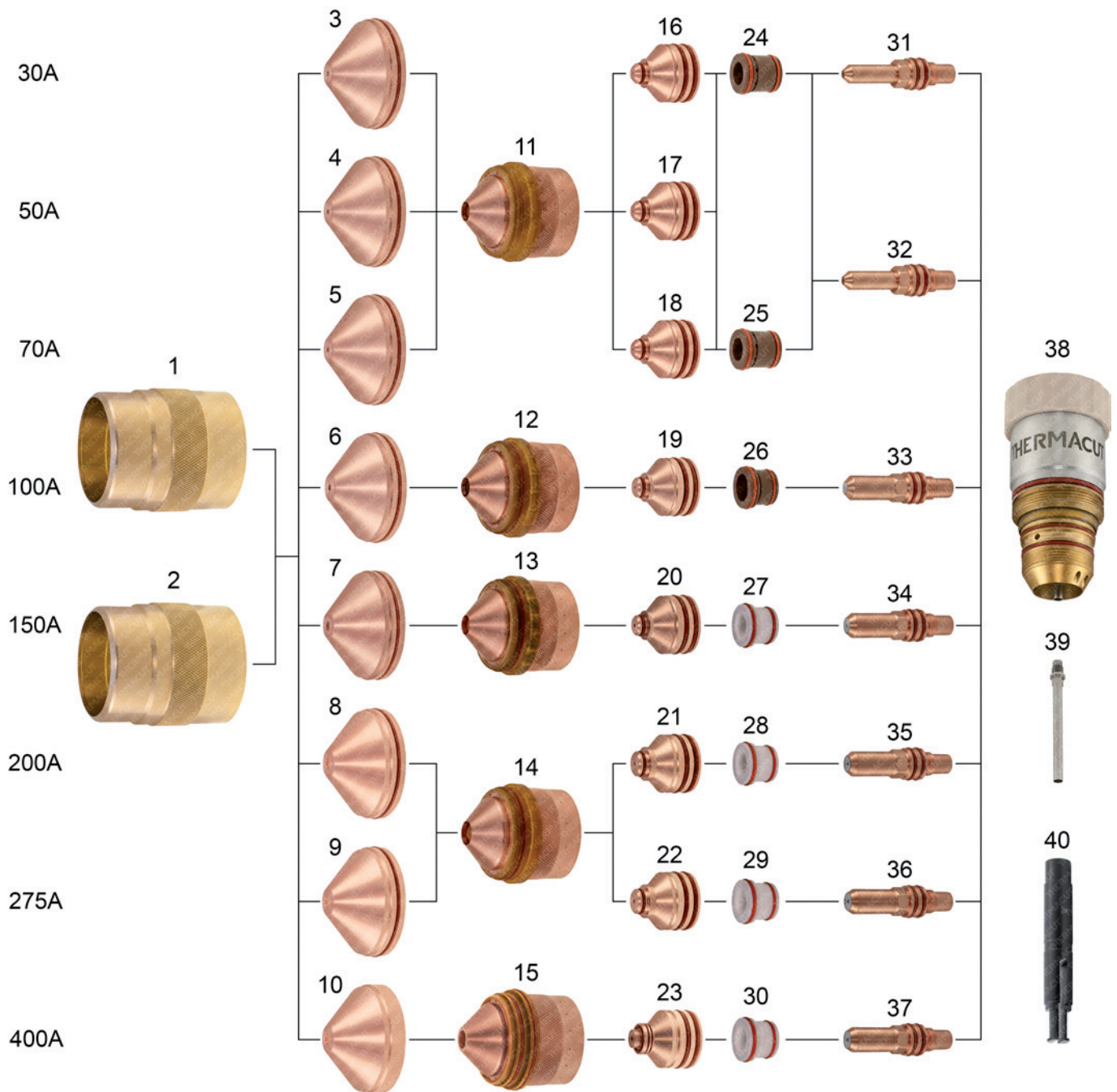


REPLACEMENT PARTS SUITABLE FOR KALIBURN®

SPIRIT®, ProLine™

SPIRIT® 150a, 200a, 275a, 400a, ProLine™ 2150, 2200, 2260 mild steel



Last update of this page: 15/02/2018. See Revision history for details.

THERMACUT®
THE CUTTING COMPANY

WWW.THERMACUT.CZ
TEL.: +420 556 423 418
SALES@THERMACUT.CZ

WWW.THERMACUT.DE
TEL.: +49 (0) 27 39 40 33 0
INFO@THERMACUT.DE

WWW.THERMACUT.COM
TEL.: 1-603-542-6715
CUSTOMERSERVICE@THERMACUT.COM

THERMACUT®, FHT-EX® AND EX-TRAFIRE® ARE REGISTERED TRADEMARKS OF THERMACUT, K.S. AND MAY BE REGISTERED IN CZECH REPUBLIC AND/OR OTHER COUNTRIES. ALL OTHER TRADEMARKS ARE PROPERTIES OF THEIR RESPECTIVE OWNERS. THERMACUT IS NO WAY AFFILIATED WITH KALIBURN®. MOST THERMACUT PARTS ARE MADE FOR OR BY AN IBG COMPANY. PARTS INDICATED WITH A OEM ARE ORIGINAL PARTS MANUFACTURED BY THE ABOVE NAMED MANUFACTURER AND ARE BEING RESOLD BY THERMACUT. THERMACUT RESERVES THE RIGHT TO SUBSTITUTE OEM PARTS IN PLACE OF THERMACUT PARTS. VALID FROM FEBRUARY 2018 • PREVIOUS VERSION IS NO LONGER VALID. • © COPYRIGHT 2018 BY THERMACUT® CZECH REPUBLIC. ALL RIGHTS RESERVED.

REPLACEMENT PARTS SUITABLE FOR KALIBURN®

SPIRIT®, ProLine™

SPIRIT® 150a, 200a, 275a, 400a, ProLine™ 2150, 2200, 2260 mild steel



PRODUCT BROCHURE WITH DETAILS AT
WWW.THERMACUT.COM

Item	Part No.	Ref. No.	Description	Std. Pkg.	Item	Part No.	Ref. No.	Description	Std. Pkg.
1.	T-11909	284150	Outer Retaining Cap 30–400A	1	21.	T-11884	277289	Nozzle 200A MS/SS/AL, Air	1
2.	T-11892	277154	Outer Retaining Cap 30–275A	1	22.	T-11888	277269	Nozzle 275A MS	5
3.	T-12034	277145	Shield Cap 30A, MS/AL	1	23.	T-12028	284125	Nozzle 400A MS	5
4.	T-12029	277115	Shield Cap 50A, MS	1	24.	T-12033	277140	Swirl Ring 30–70A MS/SS/AL, H17	1
5.	T-11901	277150	Shield Cap 70A MS/SS/AL	1	25.	T-11894	277142	Swirl Ring 50–70A MS/SS/AL	1
6.	T-11898	277286	Shield Cap 100A MS/SS/AL, Air	1	26.	T-11893	277283	Swirl Ring 100A MS/SS/AL, Air	1
7.	T-11907	277117	Shield Cap 150A MS/SS/AL	1	*27.	T-11897	277139-UR	Swirl Ring 150A MS/SS/AL	1
8.	T-11899	277274	Shield Cap 200A MS/SS/AL	1	*28.	T-11896	277143-UR	Swirl Ring 200A MS/SS/AL	1
9.	T-11900	277263	Shield Cap 275A MS/SS/AL	1	*29.	T-11895	277258-UR	Swirl Ring 275A MS/SS/AL	1
10.	T-12037	284123	Shield Cap 400A MS	1	*30.	T-12036	284122-UR	Swirl Ring 400A MS/SS/AL	1
11.	T-11891	277153	Inner Retaining Cap 30–70A MS/SS/AL	1	31.	T-12032	277130	Electrode 30A MS/AL	5
12.	T-11908	277151	Inner Retaining Cap 100/150A MS/SS/AL	1	32.	T-11906	277131	Electrode 50/70A MS/SS/AL	5
13.	T-11890	277152	Inner Retaining Cap 150A MS/SS/AL	1	33.	T-11902	277282-PRO	Electrode 100A, MS/SS/AL, Silver PRO	5
14.	T-11889	277266	Inner Retaining Cap 200/275A MS/SS/AL	1	34.	T-11904	277292-PRO	Electrode 150A MS/SS/AL, Silver PRO	5
15.	T-12035	284121	Inner Retaining Cap 400A MS	1	35.	T-11903	277291-PRO	Electrode 200A MS/SS/AL, Silver PRO	5
16.	T-12030	277120	Nozzle 30A MS/AL	5	36.	T-11905	277270-PRO	Electrode 275A MS/SS/AL, Silver PRO	5
17.	T-12031	277122	Nozzle 50A MS/AL	5	37.	T-12038	284124-PRO	Electrode 400A MS, Silver PRO	1
18.	T-11887	277125	Nozzle 70A MS/SS/AL	5	38.	T-12182	279150	Torch Head	1
19.	T-11886	277284	Nozzle 100A MS/SS/AL, Air	1	39.	T-11944	277007	Cooling Tube	1
20.	T-11885	277293	Nozzle 150A MS/SS/AL, Air	5	40.	T-11322	12.40320	Wrench for Swirl Ring 150–400A	1

* FULLY INTERCHANGEABLE AND COMPATIBLE WITH ORIGINAL PARTS, BUT DIFFERS FROM ORIGINAL DESIGN
-PRO SILVER PRO TECHNOLOGY INCREASES ELECTRODE LIFETIME SIGNIFICANTLY COMPARED TO STANDARD COPPER ELECTRODES

Last update of this page: 15/02/2018. See Revision history for details.

THERMACUT®
THE CUTTING COMPANY

WWW.THERMACUT.CZ
TEL.: +420 556 423 418
SALES@THERMACUT.CZ

WWW.THERMACUT.DE
TEL.: +49 (0) 27 39 40 33 0
INFO@THERMACUT.DE

WWW.THERMACUT.COM
TEL.: 1-603-542-6715
CUSTOMERSERVICE@THERMACUT.COM

THERMACUT®, FHT-EX® AND EX-TRAFIRE® ARE REGISTERED TRADEMARKS OF THERMACUT, K.S. AND MAY BE REGISTERED IN CZECH REPUBLIC AND/OR OTHER COUNTRIES. ALL OTHER TRADEMARKS ARE PROPERTIES OF THEIR RESPECTIVE OWNERS. THERMACUT IS NO WAY AFFILIATED WITH KALIBURN®. MOST THERMACUT PARTS ARE MADE FOR OR BY AN IBG COMPANY. PARTS INDICATED WITH A OEM ARE ORIGINAL PARTS MANUFACTURED BY THE ABOVE NAMED MANUFACTURER AND ARE BEING RESOLD BY THERMACUT. THERMACUT RESERVES THE RIGHT TO SUBSTITUTE OEM PARTS IN PLACE OF THERMACUT PARTS.
VALID FROM FEBRUARY 2018 • PREVIOUS VERSION IS NO LONGER VALID. • © COPYRIGHT 2018 BY THERMACUT® CZECH REPUBLIC. ALL RIGHTS RESERVED.