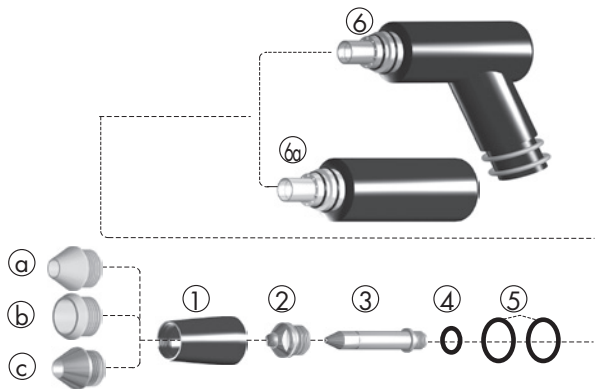
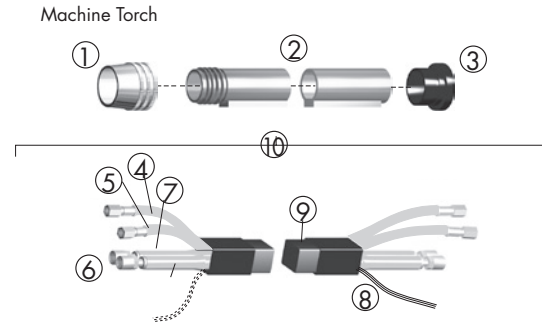


THERMACUT® REPLACEMENT PARTS SUITABLE FOR Thermal Dynamics® PCH/M-150 TORCH



ACCESSORIES



Item	Part No.	Ref. No.	Description	Std. Pkg.	Item	Part No.	Ref. No.	Description	Std. Pkg.
1.	T-2172	9-5758-5	Plastic Bottom	1		T-0248	9-5766	Tip .052 100A, Nit	5
1a.	T-0237	9-5750	Shield Cup	1	3.	T-0253	9-5749	Electrode, Air	5
	T-1032	9-5750-1	Ceramic Taper Piece	1		T-0254	9-5754	Electrode, Nit, AR/H	5
1b.	T-0238	9-5758	Shield Cup, Tip Exp.	1		T-0255	9-5760	Electrode, Oxy	5
1c.	T-0239	9-5790	Shield Cup, Metal	1	4.	T-0263	8-0537	O-Ring, Small	10
	T-2176	9-5790-1	Metal Front Piece	1	5.	T-0264	8-0540	O-Ring, Large	10
2.	T-0241	9-5746	Tip .070 150A, Air	5	6.	T-0256	9-5743	TMT-150 Hand Torch 70°	1
	T-0242	9-5747	Tip .055 100A, Air	5		T-2171	9-5744	TMT-150 Hand Torch 90°	1
	T-0243	9-5748	Tip .043 50A, Air	5	6a.	T-0257	9-5745	TMT-150 Machine Torch	1
	T-0244	9-5751	Tip .070 150A, Oxy	5					
	T-0245	9-5752	Tip .052 100A, Oxy	5					
	T-0247	9-5767	Tip .067 150A, Nit	5					

ACCESSORIES

Item	Part No.	Ref. No.	Description	Std. Pkg.	Item	Part No.	Ref. No.	Description	Std. Pkg.
1.	T-0261	8-2158	Adapter, 1 3/8" Dia	1		T-0963	8-5139	Shielded Sleeving 25'	1
2.	T-1077	7-3207	Mounting Tube	1	10.	T-0954	4-2863	Hand Leads 25'	1
3.	T-0161	8-4204	Bushing	1		T-0955	4-2864	Hand Leads 50'	1
4.	T-0965	8-5565	Plasma Lead 25'	1		T-0956	4-2865	Machine Leads 25'	1
	T-0966	8-5566	Plasma Lead 50'	1		T-0957	4-2866	Machine Leads 50'	1
5.	T-0961	8-5135	Secondary Gas Hose 25'	1	NS	T-0950	2-2980	Machine Torch with 25' Leads	1
	T-0962	8-5136	Secondary Gas Hose 50'	1	NS	T-0951	2-2981	Machine Torch with 50' Leads	1
6.	T-0969	8-6139	Negative Lead 25'	1	NS	T-0952	2-2982	Hand Torch 70° with 25' Leads	1
7.	T-0971	8-6305	Coolant Return Hose 25'	1	NS	T-0958	2-2978	Hand Torch 90° with 25' Leads	1
	T-0972	8-6306	Coolant Return Hose 50'	1	NS	T-0953	2-2983	Hand Torch 70° with 50' Leads	1
8.	T-0967	8-5567	Control Cable 25'	1	NS	T-0959	2-2979	Hand Torch 90° with 50' Leads	1
	T-0968	8-5568	Control Cable 50'	1					
9.	T-0940	8-1000	Leads Sleeving 25'	1					
	T-0960	8-1058	Leads Sleeving 50'	1					

NS NOT SHOWN IN THE PICTURE

Last update of this page: 17/11/2015. See Revision history for details.

THERMACUT®
THE CUTTING COMPANY™

WWW.THERMACUT.CZ
TEL.: +420 556 423 418
SALES@THERMACUT.CZ

WWW.THERMACUT.DE
TEL.: +49 (0) 27 39 40 33 0
INFO@THERMACUT.DE

WWW.THERMACUT.COM
TEL.: 1-603-542-6715
CUSTOMERSERVICE@THERMACUT.COM

THERMACUT®, THE CUTTING COMPANY®, FHT-EX®, EX-TRAFIRE®, EX-TRACK®, EX-TRABEAM® AND EX-TRAFAME® ARE REGISTERED TRADEMARKS OF THERMACUT, K.S. AND MAY BE REGISTERED IN CZECH REPUBLIC AND/OR OTHER COUNTRIES. ALL OTHER TRADEMARKS ARE PROPERTIES OF THEIR RESPECTIVE OWNERS. THERMACUT IS NO WAY AFFILIATED WITH Thermal Dynamics®. MOST THERMACUT PARTS ARE MADE FOR OR BY AN IBC COMPANY. PARTS INDICATED WITH A OEM ARE ORIGINAL PARTS MANUFACTURED BY THE ABOVE NAMED MANUFACTURER AND ARE BEING RESOLD BY THERMACUT. THERMACUT RESERVES THE RIGHT TO SUBSTITUTE OEM PARTS IN PLACE OF THERMACUT PARTS. VALID FROM NOVEMBER 2020 • PREVIOUS VERSION IS NO LONGER VALID. • © COPYRIGHT 2020 BY THERMACUT® CZECH REPUBLIC. ALL RIGHTS RESERVED.